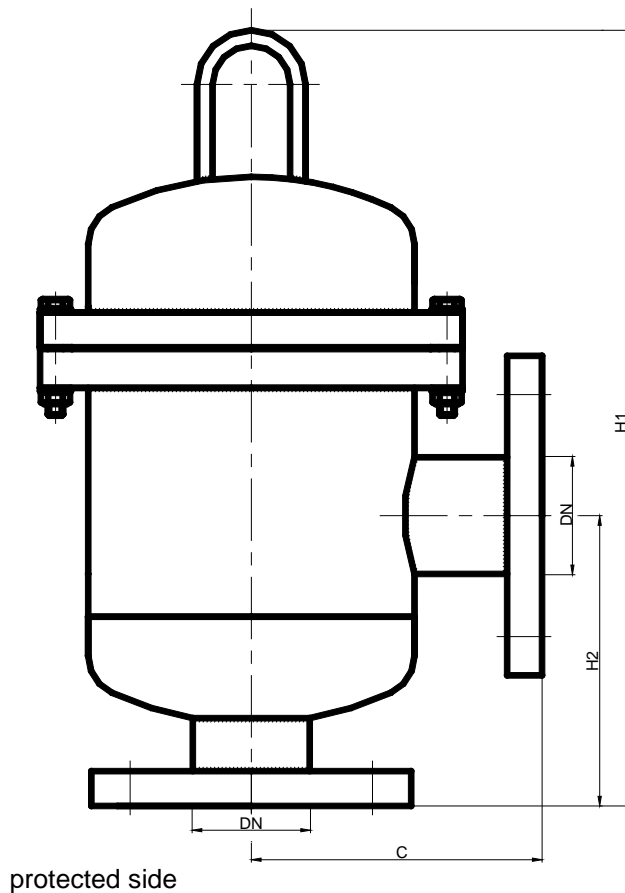
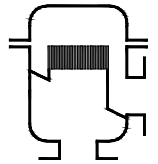


**Detonation flame arrester**  
**KITO® FD4-Det4-IIB3-...-1.2**



Example to order :  
**KITO® FD4-Det4-IIB3-50-1.2**  
 (Design DN 50 PN 16)

**Type examination certificate to DIN EN ISO 16852 and C € -designation in accordance to ATEX-Guideline 94/9/EC**

DN	ANSI	C	H1	H2	kg*
25 PN 40	1"	150	400	150	18,5
32 PN 40	1 ¼"				19
40 PN 40	1 ½"				20
50 PN 16	2"				21

Dimensions in mm

\* weight refers to the standard design

Design subject to change

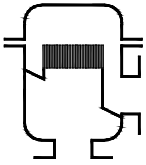
performance curves: G 0.19.5 N

Standard design

housing / cover : steel, stainless steel mat. no. 1.4571  
 gasket : HD 3822, PTFE  
 KITO® flame arrester element : completely interchangeable  
 KITO® casing / grid : stainless steel mat. no. 1.4571  
 flange connections : DIN EN 1092-1 Form A,  
 ANSI 150 lbs

Application

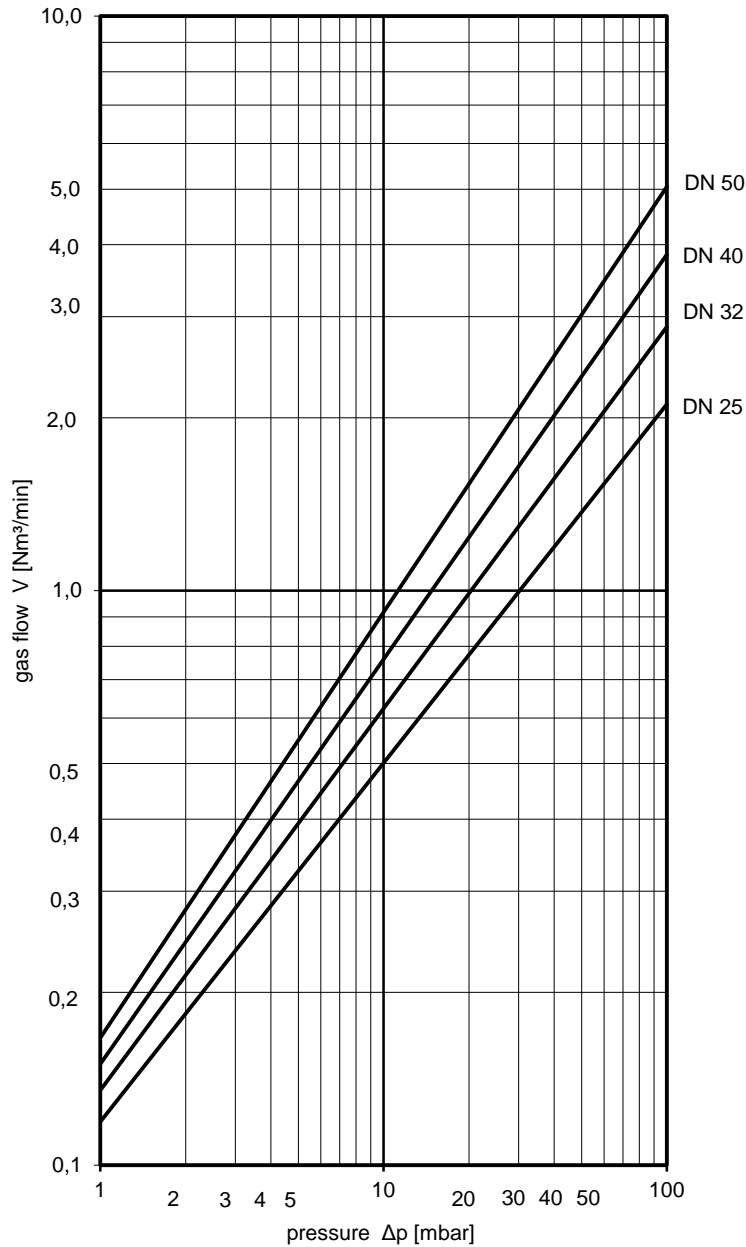
For installation into pipes to protect containers and components against **stable** detonation of flammable liquids and gases.  
 Tested and approved as detonation flame arrester **type 4**.  
 Approved for all substances of explosion groups IIA1 to IIB3 with a maximum experimental safe gap (MESG) ≥ 0.65 mm. Working unidirectional in pipes, whereby an operating pressure of 1.2 bar abs. and an operating temperature of 60°C must not be exceeded.  
 The installation is not dependent on the position and both directions of flow are possible. During installation, please observe the direction of detonation and the indication „protected side“.



**Detonation flame arrester**  
**KITO® FD4-Det4-IIB3-...-1.2**  
**G 19.5 N**

Flow capacity  $V$  based on air of a density  $\rho = 1.29 \text{ kg/m}^3$  at  $T = 273 \text{ K}$  and atmospheric pressure  $p = 1.013 \text{ mbar}$ .  
 For other gases the flow can be approximately calculated by

$$\dot{V} = \dot{V}_b \cdot \sqrt{\frac{\rho_b}{1.29}} \quad \text{or} \quad \dot{V}_b = \dot{V} \cdot \sqrt{\frac{1.29}{\rho_b}}$$



Design subject to change.