

# KNIFE GATE VALVE

Through Conduit Knife Gate Valve - Lug Type  
PN10, DN50 to DN150 | Handwheel Operation

**MODEL: KSD-TKG**

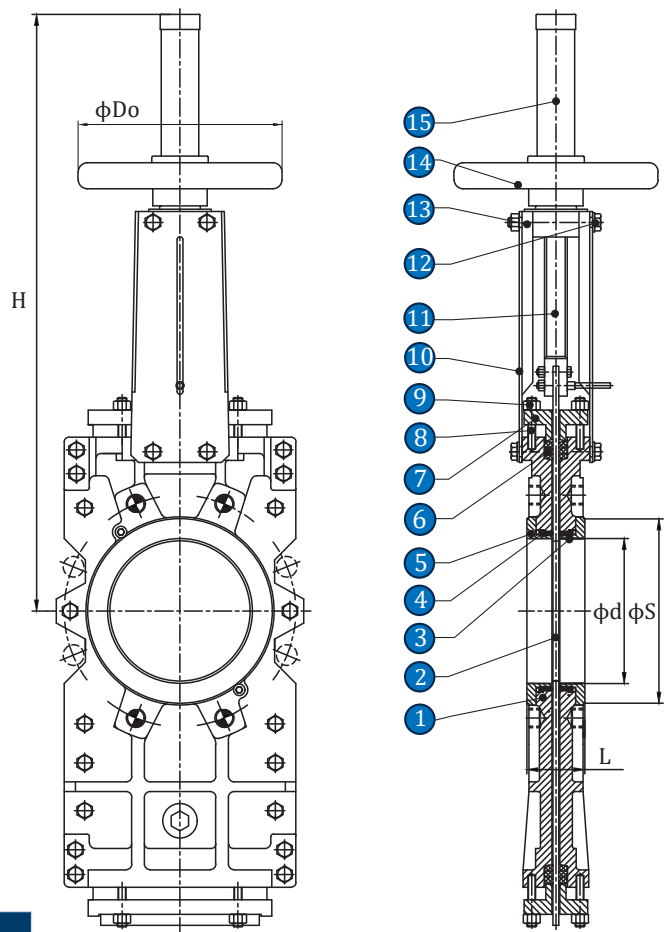
- » **Seat Design**  
PTFE
- » **Size Range**  
DN50 to DN150
- » **Pressure Rating**  
DN50 - DN125: 10 bar  
DN150: 8 bar
- » **Body Material**  
GGG40 /1.4408
- » **Flange Drillings**  
EN 1092 PN 10
- » **Temperature Range**  
-20°C to 150°C
- » **Standards and Specifications**  
Design and test standard according to MSS-SP81  
DIN EN 10204 3.1 Certificate  
PED 2014/68/EU; ISO 9001

## Materials List:

NO	PART NAME	MATERIAL
1	BODY	GGG40 /1.4408
2	GATE	SS316
3	RETAINER RING	SS316
4	SEAT	PTFE
5	O-RING	FKM
6	PACKING	PTFE
7	GLAND	ASTM A351 CF8M
8	GLAND BOLT	ASTM A193 B8
9	GLAND NUT	ASTM A193 8
10	SUPPORT YOKE	ASTM A36
11	STEM	A182 F316
12	YOKE BOLT	A193 B8
13	YOKE	ASTM A216 WCB
14	HANDWHEEL	DI / CI
15	STEM PROTECTOR	ASTM A36 / ALLUMINUM

## Dimensions (mm):

DN	$\phi d$	L	$\phi S$	H	$\phi D0$
50	50	48	92	375	200
65	65	48	105	420	200
80	80	51	127	450	200
100	100	51	153	500	200
125	125	57	182	570	200
150	150	57	216	665	300

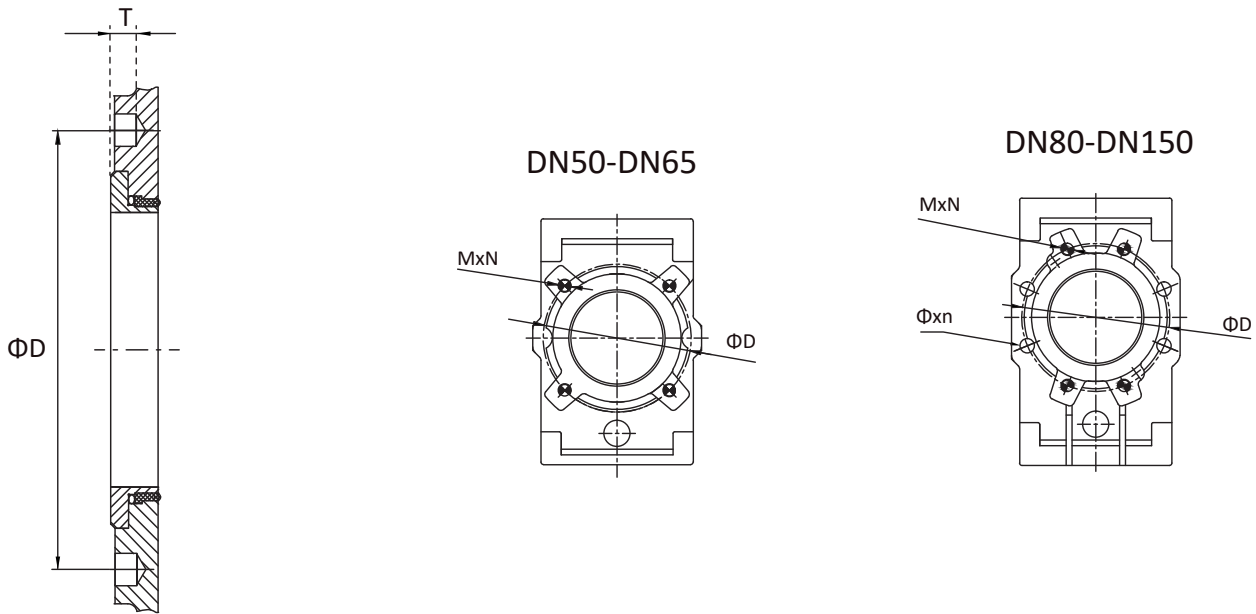


# KNIFE GATE VALVE

Through Conduit Knife Gate Valve - Lug Type  
PN10, DN50 to DN150 | Handwheel Operation

**MODEL: KSD-TKG**

- Flange and Bolting Dimensions



**Dimensions (mm):**

DN	ΦD	M x N	Φ x n	T
50	125	M16 x 4	-	12
65	145	M16 x 4	-	12
80	160	M16 x 4	Φ18 x 4	12
100	180	M16 x 4	Φ18 x 4	12
125	210	M16 x 4	Φ18 x 4	13
150	240	M20 x 4	Φ22 x 4	13

# KNIFE GATE VALVE

Through Conduit Knife Gate Valve - Lug Type  
PN10, DN200 to DN400 | Bevel Gear Operation

**MODEL: KSD-TKG**

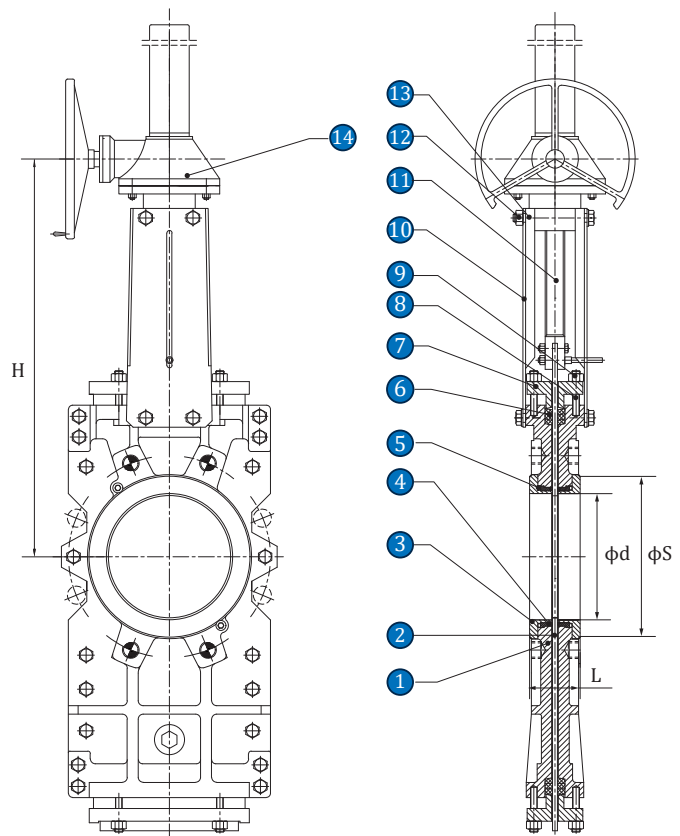
- » **Seat Design**  
PTFE
- » **Size Range**  
DN200 to DN400
- » **Pressure Rating**  
DN200 - DN250: 8 bar  
DN300 - DN400: 6 bar
- » **Body Material**  
GGG40 /1.4408
- » **Flange Drillings**  
EN 1092 PN10
- » **Temperature Range**  
-20°C to 150°C
- » **Standards and Specifications**  
Design and test standard according to MSS-SP81  
DIN EN 10204 3.1 Certificate  
PED 2014/68/EU; ISO 9001

**Materials List:**

NO	PART NAME	MATERIAL
1	BODY	GGG40 /1.4408
2	GATE	SS316
3	RETAINER RING	SS316
4	SEAT	PTFE
5	O-RING	FKM
6	PACKING	PTFE
7	GLAND	ASTM A351 CF8M
8	GLAND BOLT	ASTM A193 B8
9	GLAND NUT	ASTM A193 8
10	SUPPORT YOKE	ASTM A36
11	STEM	A182 F316
12	YOKE BOLT	A193 B8
13	YOKE	ASTM A216 WCB
14	BEVEL GEAR	CS/DI

**Dimensions (mm):**

DN	Φd	L	ΦS	H
200	200	70	270	645
250	250	70	324	765
300	300	76	381	870
350	336	76	413	983
400	385	89	469	1096

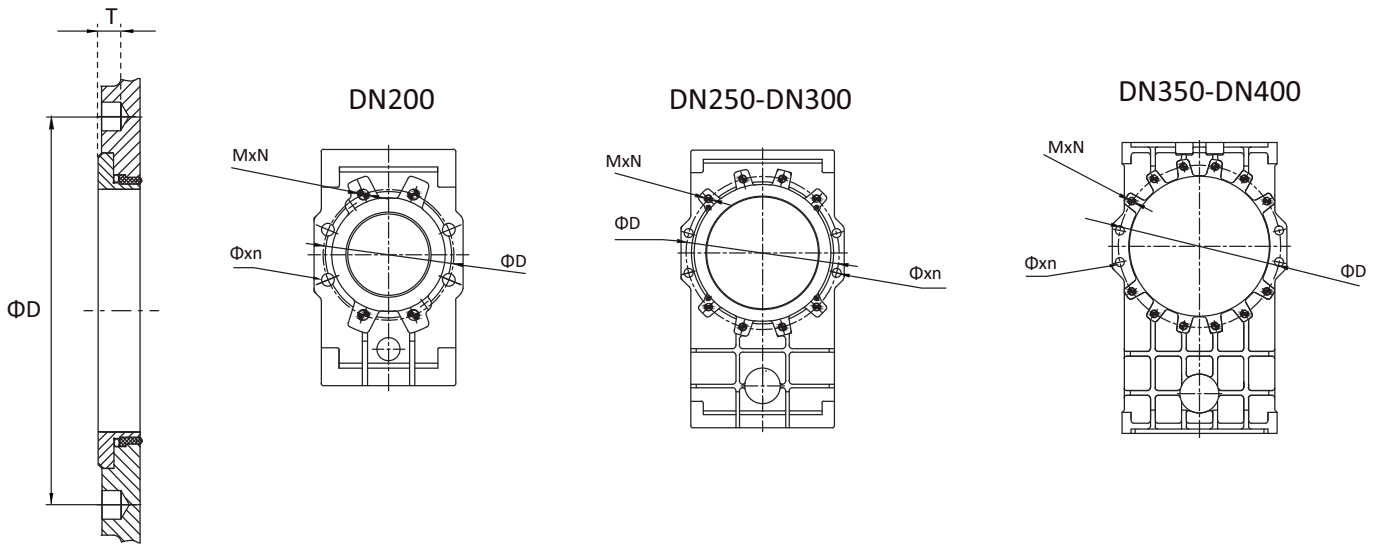


# KNIFE GATE VALVE

Through Conduit Knife Gate Valve - Lug Type  
 PN10, DN200 to DN400 | Bevel Gear Operation

**MODEL: KSD-TKG**

## Flange and Bolting Dimensions



### Dimensions (mm):

DN	ΦD	M x N	Φ x n	T
200	295	M20 x 4	Φ22 x 4	15
250	350	M20 x 8	Φ22 x 4	17
300	400	M20 x 8	Φ22 x 4	23
350	460	M20 x 12	Φ22 x 4	23
400	515	M24 x 12	Φ26 x 4	23

# KNIFE GATE VALVE

Through Conduit Knife Gate Valve - Lug Type  
PN10, DN50 to DN400 | Pneumatic Operation

**MODEL: KSD-TKG**

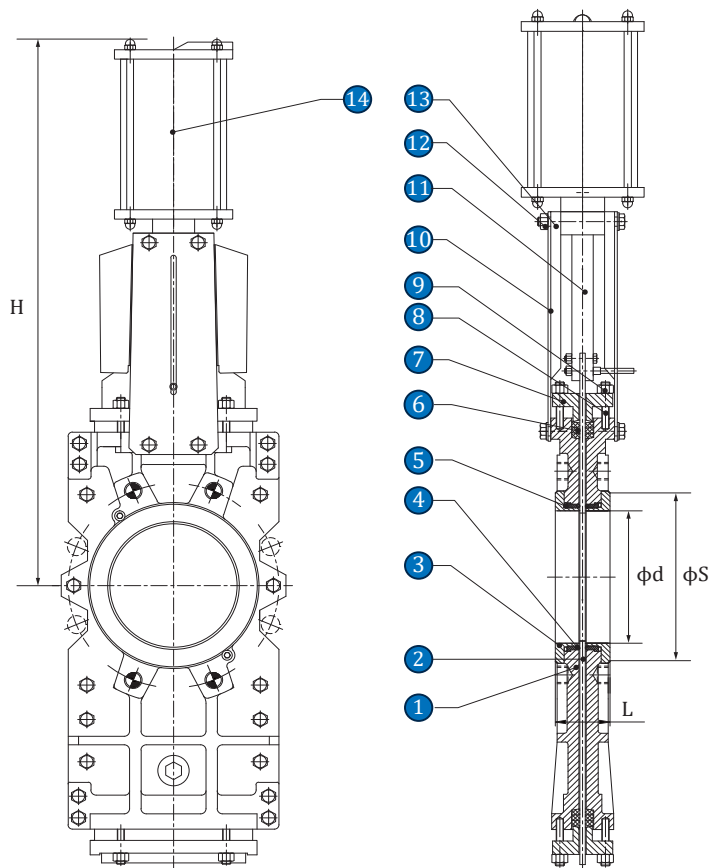
- » **Seat Design**  
PTFE
- » **Size Range**  
DN50 to DN400
- » **Pressure Rating**  
DN50 - DN125: 10 bar  
DN200 - DN250: 8 bar  
DN300 - DN400: 6 bar
- » **Body Material**  
GGG40 /1.4408
- » **Flange Drillings**  
EN 1092 PN10
- » **Temperature Range**  
-20°C to 150°C
- » **Standards and Specifications**  
Design and test standard according to MSS-SP81  
DIN EN 10204 3.1 Certificate  
PED 2014/68/EU; ISO 9001

**Materials List:**

NO	PART NAME	MATERIAL
1	BODY	GGG40 /1.4408
2	GATE	SS316
3	RETAINER RING	SS316
4	SEAT	PTFE
5	O-RING	FKM
6	PACKING	PTFE
7	GLAND	ASTM A351 CF8M
8	GLAND BOLT	ASTM A193 B8
9	GLAND NUT	ASTM A193 8
10	SUPPORT YOKE	ASTM A36
11	STEM	A182 F316
12	YOKE BOLT	A193 B8
13	YOKE	ASTM A216 WCB
14	CYLINDER	COMBINATION
15	SAFETY COVER	SS304

**Dimensions (mm):**

DN	$\Phi d$	L	$\Phi S$	H
50	50	48	92	375
65	65	48	105	420
80	80	51	127	450
100	100	51	153	500
125	125	57	182	570
150	150	57	216	665
200	200	70	270	810
250	250	70	324	970
300	300	76	381	1125
350	336	76	413	1280
400	385	89	469	1435

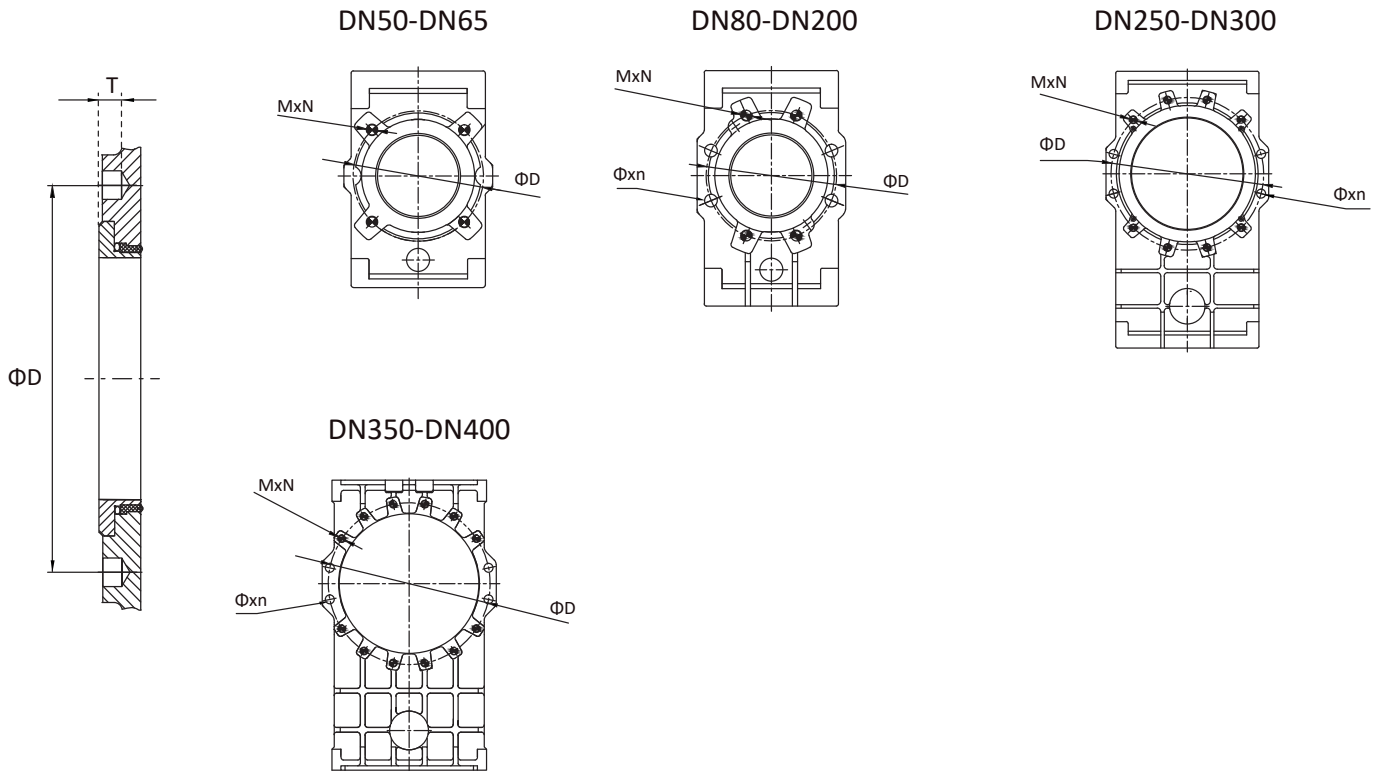


# KNIFE GATE VALVE

Through Conduit Knife Gate Valve - Lug Type  
PN10, DN50 to DN400 | Pneumatic Operation

**MODEL: KSD-TKG**

## Flange and Bolting Dimensions



### Dimensions (mm):

DN	ΦD	M x N	Φ x n	T
50	125	M16 x 4	-	12
65	145	M16 x 4	-	12
80	160	M16 x 4	Φ18 x 4	12
100	180	M16 x 4	Φ18 x 4	12
125	210	M16 x 4	Φ18 x 4	13
150	240	M20 x 4	Φ22 x 4	13
200	295	M20 x 4	Φ22 x 4	15
250	350	M20 x 8	Φ22 x 4	17
300	400	M20 x 8	Φ22 x 4	23
350	460	M20 x 12	Φ22 x 4	23
400	515	M24 x 12	Φ26 x 4	23

# KNIFE GATE VALVE

Through Conduit Knife Gate Valve - Lug Type  
CLASS 150, 2" to 16" | Handwheel Operation

**MODEL: KSD-TKG**

» **Seat Design**  
PTFE

» **Size Range**  
2" to 16"

» **Pressure Rating**  
2" - 4": 150 psi  
6" - 10": 120 psi  
12" - 16": 90 psi

» **Body Material**  
ASTM A536 65-45-12 / CF8M

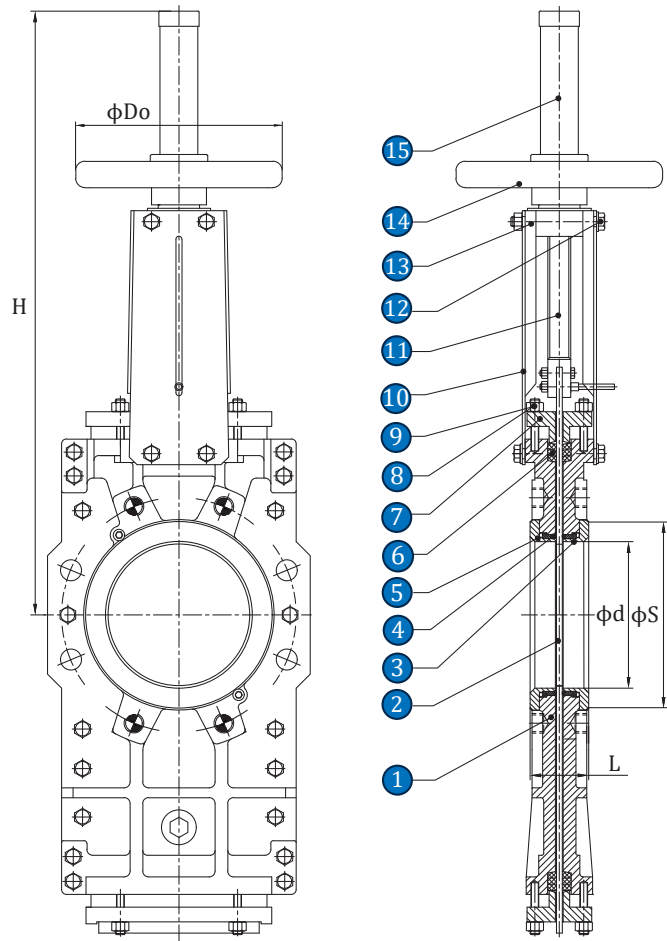
» **Flange Drillings**  
ASME B16.5 CL150

» **Temperature Range**  
-4°F to 300°F

» **Standards and Specifications**  
Design and test standard according to MSS-SP81  
DIN EN 10204 3.1 Certificate  
PED 2014/68/EU; ISO 9001

## Materials List:

NO	PART NAME	MATERIAL
1	BODY	DI / CF8M
2	GATE	SS316
3	RETAINER RING	SS316
4	SEAT	PTFE
5	O-RING	FKM
6	PACKING	PTFE
7	GLAND	ASTM A351 CF8M
8	GLAND BOLT	ASTM A193 B8
9	GLAND NUT	ASTM A193 8
10	SUPPORT YOKE	ASTM A36
11	STEM	A182 F316
12	YOKE BOLT	A193 B8
13	YOKE	ASTM A216 WCB
14	HANDWHEEL	DI / CI
15	STEM PROTECTOR	ASTM A36 / ALLUMINUM



## Dimensions (mm):

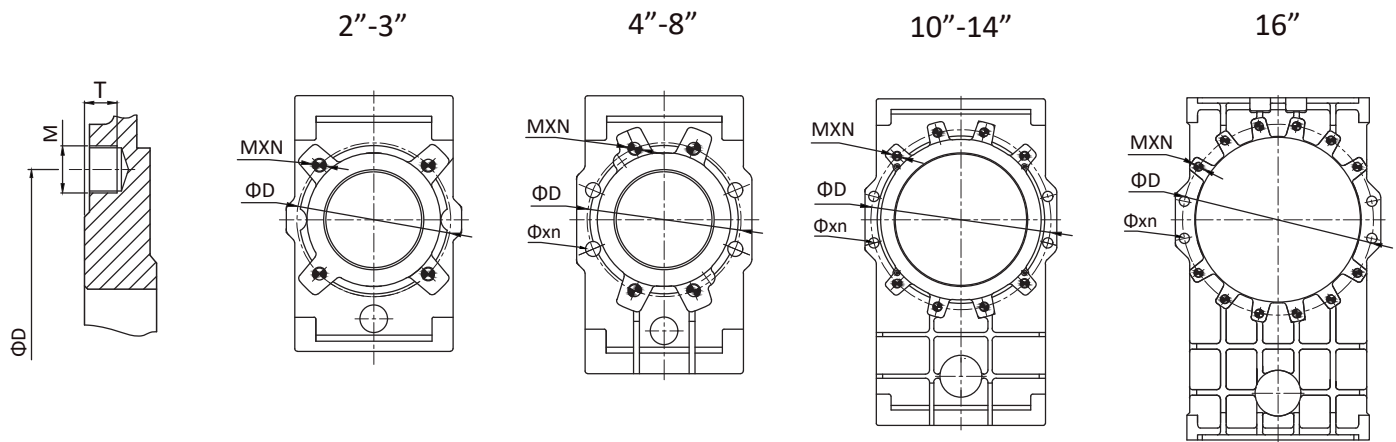
NPS	Φd	L	ΦS	ΦD0	H
2	50	48	92	200	375
2-1/2	65	48	105	200	420
3	80	51	127	200	450
4	95	51	151	200	500
5	120	57	182	200	570
6	145	60	214	300	665
8	195	70	268	300	810
10	245	70	320	350	970
12	295	76	380	350	1125
14	336	76	413	500	1280
16	380	89	466	500	1435

# KNIFE GATE VALVE

Through Conduit Knife Gate Valve - Lug Type  
CLASS 150, 2" to 16" | Handwheel Operation

**MODEL: KSD-TKG**

## Flange and Bolting Dimensions



### Dimensions (mm):

inch	ΦD	A (UNC) x N	Φ x n	T
2"	120.7	5/8"-11 x 4	-	12
2½"	139.7	5/8"-11 x 4	-	12
3"	152.4	5/8"-11 x 4	-	12
4"	190.5	5/8"-11 x 4	Φ18 x 4	12
5"	215.9	3/4"-10 x 4	Φ22 x 4	13
6"	241.3	3/4"-10 x 4	Φ22 x 4	13
8"	298.5	3/4"-10 x 4	Φ22 x 4	15
10"	362	7/8"-9 x 8	Φ26 x 4	17
12"	432	7/8"-9 x 8	Φ26 x 4	23
14"	476.3	1"-8 x 8	Φ29 x 4	23
16"	540	1"-8 x 12	Φ29 x 4	23



# KNIFE GATE VALVE

Through Conduit Knife Gate Valve - Lug Type  
CLASS 150, 2" to 16" | Bevel Gear Operation

**MODEL: KSD-TKG**

» **Seat Design**  
PTFE

» **Size Range**  
2" to 16"

» **Pressure Rating**  
2" - 4": 150 psi  
6" - 10": 120 psi  
12" - 16": 90 psi

» **Body Material**  
ASTM A536 65-45-12 / CF8M

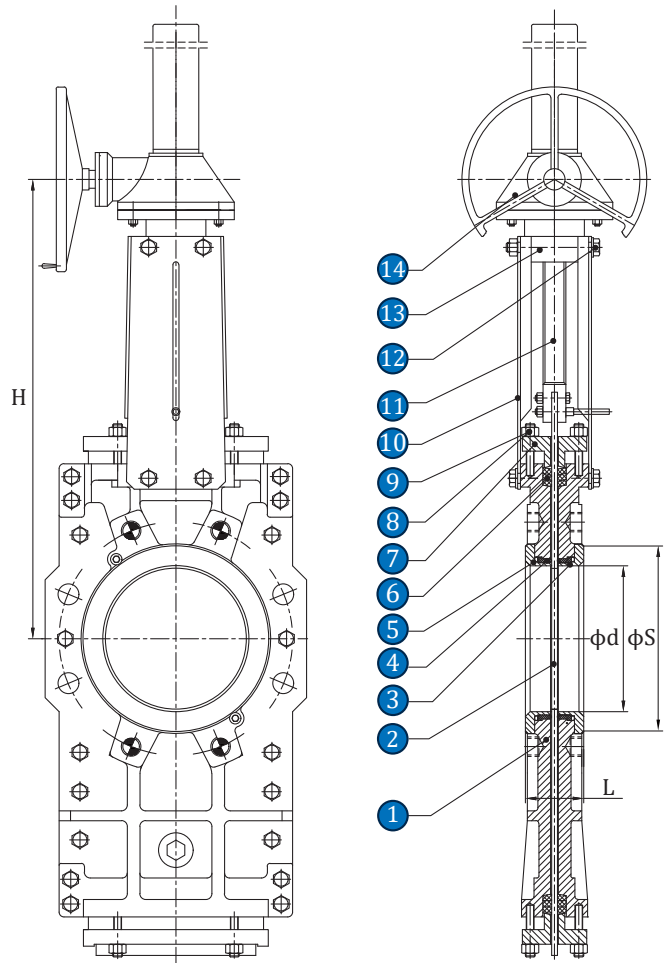
» **Flange Drillings**  
ASME B16.5 CL150

» **Temperature Range**  
-4°F to 300°F

» **Standards and Specifications**  
Design and test standard according to MSS-SP81  
DIN EN 10204 3.1 Certificate  
PED 2014/68/EU; ISO 9001

**Materials List:**

NO	PART NAME	MATERIAL
1	BODY	DI / CF8M
2	GATE	SS316
3	RETAINER RING	SS316
4	SEAT	PTFE
5	O-RING	FKM
6	PACKING	PTFE
7	GLAND	ASTM A351 CF8M
8	GLAND BOLT	ASTM A193 B8
9	GLAND NUT	ASTM A193 8
10	SUPPORT YOKE	ASTM A36
11	STEM	A182 F316
12	YOKE BOLT	A193 B8
13	YOKE	ASTM A216 WCB
14	BEVEL GEAR	CS / DI



**Dimensions (mm):**

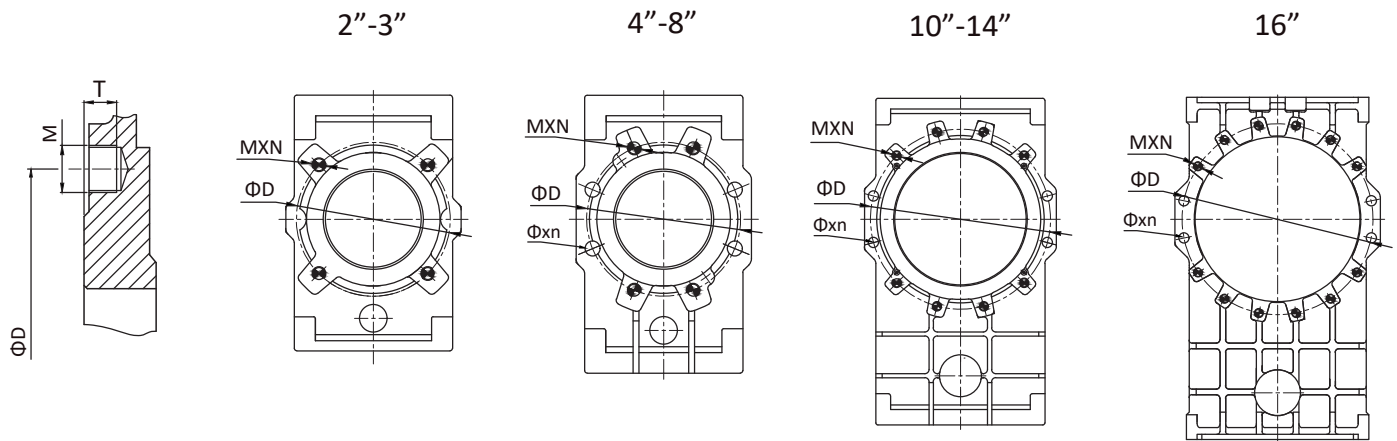
inch	Φd	L	S	H
2"	50	48	92	-
2½"	65	48	105	-
3"	80	51	127	-
4"	95	51	151	456
5"	120	57	182	496
6"	145	60	214	552
8"	195	70	268	645
10"	245	70	320	765
12"	295	76	380	870
14"	336	76	413	983
16"	380	89	466	1096

# KNIFE GATE VALVE

Through Conduit Knife Gate Valve - Lug Type  
CLASS 150, 2" to 16" | Bevel Gear Operation

**MODEL: KSD-TKG**

## Flange and Bolting Dimensions



inch	ΦD	A (UNC) x N	Φ x n	T
2"	120.7	5/8"-11 x 4	-	12
2½"	139.7	5/8"-11 x 4	-	12
3"	152.4	5/8"-11 x 4	-	12
4"	190.5	5/8"-11 x 4	Φ18 x 4	12
5"	215.9	3/4"-10 x 4	Φ22 x 4	13
6"	241.3	3/4"-10 x 4	Φ22 x 4	13
8"	298.5	3/4"-10 x 4	Φ22 x 4	15
10"	362	7/8"-9 x 8	Φ26 x 4	17
12"	432	7/8"-9 x 8	Φ26 x 4	23
14"	476.3	1"-8 x 8	Φ29 x 4	23
16"	540	1"-8 x 12	Φ29 x 4	23

# KNIFE GATE VALVE

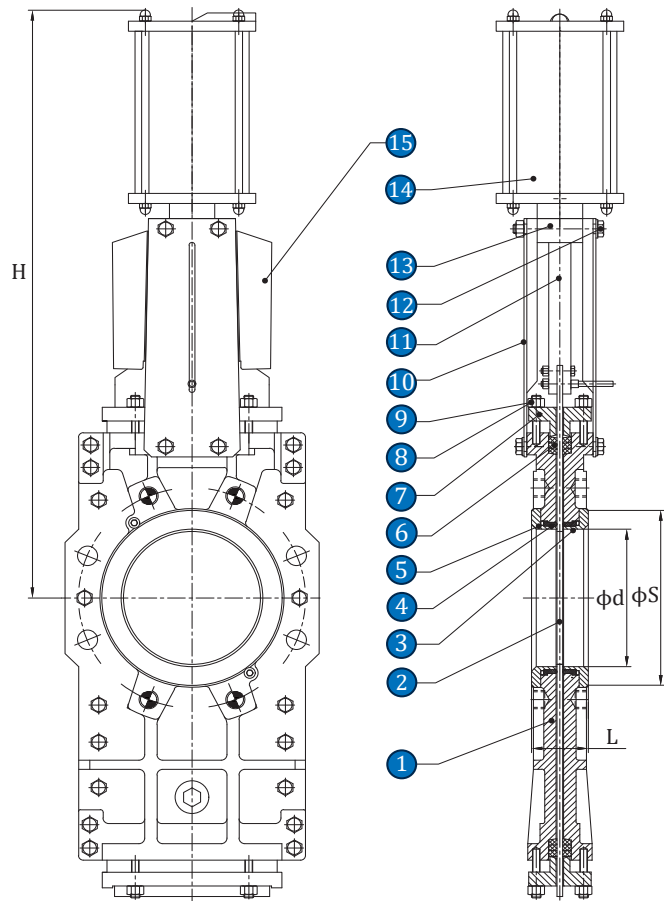
Through Conduit Knife Gate Valve - Lug Type  
CLASS 150, 2" to 16" | Pneumatic Operation

**MODEL: KSD-TKG**

- » **Seat Design**  
PTFE
- » **Size Range**  
2" to 16"
- » **Pressure Rating**  
2" - 4": 150 psi  
6" - 10": 120 psi  
12" - 16": 90 psi
- » **Body Material**  
ASTM A536 65-45-12 / CF8M
- » **Flange Drillings**  
ASME B16.5 CL150
- » **Temperature Range**  
-4°F to 300°F
- » **Standards and Specifications**  
Design and test standard according to MSS-SP81  
DIN EN 10204 3.1 Certificate  
PED 2014/68/EU; ISO 9001

**Materials List:**

NO	PART NAME	MATERIAL
1	BODY	DI / CF8M
2	GATE	SS316
3	RETAINER RING	SS316
4	SEAT	PTFE
5	O-RING	FKM
6	PACKING	PTFE
7	GLAND	ASTM A351 CF8M
8	GLAND BOLT	ASTM A193 B8
9	GLAND NUT	ASTM A193 8
10	SUPPORT YOKE	ASTM A36
11	CYLINDER SHAFT	AISI 1045 + Cr
12	YOKE BOLT	A193 B8
13	YOKE	ASTM A216 WCB
14	CYLINDER	COMBINATION
15	DUST COVER	SS304



**Dimensions (mm):**

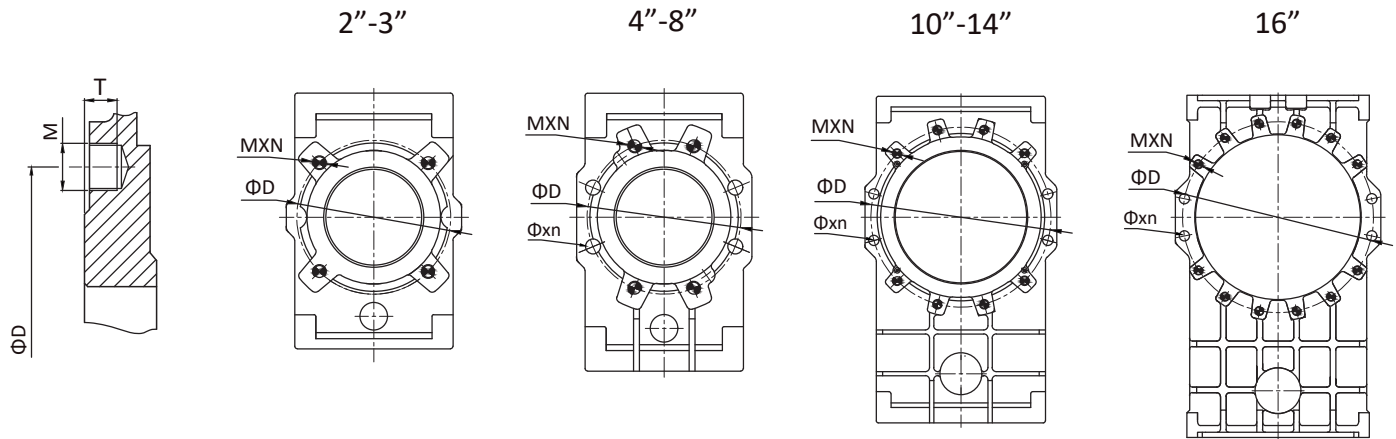
inch	Φd	L	S	H
2"	50	48	92	375
2½"	65	48	105	420
3"	80	51	127	450
4"	95	51	151	500
5"	120	57	182	570
6"	145	60	214	665
8"	195	70	268	810
10"	245	70	320	970
12"	295	76	380	1125
14"	336	76	413	1280
16"	380	89	466	1435

# KNIFE GATE VALVE

Through Conduit Knife Gate Valve - Lug Type  
CLASS 150, 2" to 16" | Pneumatic Operation

**MODEL: KSD-TKG**

## Flange and Bolting Dimensions



inch	ΦD	A (UNC) x N	Φ x n	T
2"	120.7	5/8"-11 x 4	-	12
2½"	139.7	5/8"-11 x 4	-	12
3"	152.4	5/8"-11 x 4	-	12
4"	190.5	5/8"-11 x 4	Φ18 x 4	12
5"	215.9	3/4"-10 x 4	Φ22 x 4	13
6"	241.3	3/4"-10 x 4	Φ22 x 4	13
8"	298.5	3/4"-10 x 4	Φ22 x 4	15
10"	362	7/8"-9 x 8	Φ26 x 4	17
12"	432	7/8"-9 x 8	Φ26 x 4	23
14"	476.3	1"-8 x 8	Φ29 x 4	23
16"	540	1"-8 x 12	Φ29 x 4	23